

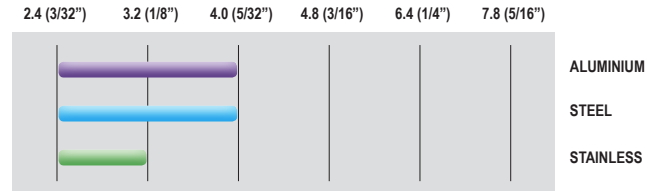
RivetLab

Gesipa® Taurus® 1

Air Riveting Tool for Rivets up to 4.0mm Ø

Gesipa® Taurus® 1 is a light-weight, high performance air hydraulic riveting tool. It features a patented jaw gripping mechanism. The jaws are pressed onto the mandrel by using compressed air instead of the traditional spring force - no more worn springs to replace. As a result, the tool is more reliable and has a longer service life. When the trigger is depressed, high pressure air clamps the jaws to the mandrels, the full stroke is utilised to set a rivet, and the clamping force is ten times higher than the spring method. The tool uses the same air to set the rivets and extract the mandrel. This tool provides considerable savings on compressed air usage.

Setting Capacity



Patented jaw mechanism ensures full stroke of tool available to set a rivet

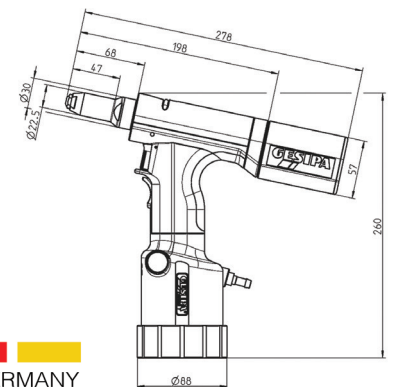
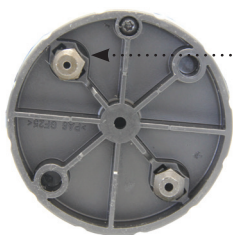
Spring balance attachment for fatigue free operation

Unique air consumption system sets the rivets and extracts the mandrel using the same air - significant cost savings on air usage

Mandrel collecting system with swivelling air deflector

Readily accessible nose-pieces

Rubberised, moulded grip avoids slipping



MADE IN GERMANY

Specifications

Product Code:	GT-TAURUS1
Weight:	1.3 kg
Length:	278 mm
Operating Air Pressure:	5 - 7 bar
Pulling Force:	4,200 N
Stroke:	15 mm

Package Accessories

Nosepieces: 17/18, 17/24 and 17/27
Maintenance wrench: SW12/14, SW 14/17
One hydraulic oil bottle 100ml
One oil refill container
Operating instructions with spare parts list

* Dimensions and specifications are subject to change without notice. Check your distributor for the latest data sheet.

Unit 4, 28 Barcoo St., Roseville, NSW 2069
PH: 02 9882 1112

www.rivetlab.com