

RivetLab

FAR K39

Hand Tool for Rivets up to 4.8mm Ø

FAR K39 is a lightweight professional standard hand riveting tool. It utilises robust cast aluminium and steel design and features rivet holding in the nose for one-hand riveting. Its contoured handle grips allows easy and comfortable operation. This tool is supplied with 4 nosepieces.



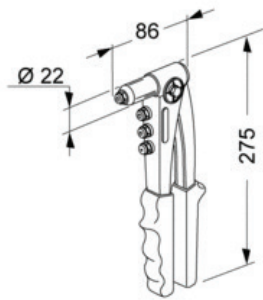
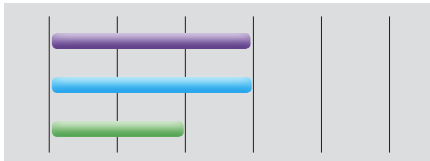
Setting Capacity

ALUMINIUM

STEEL

STAINLESS STEEL

2.4 (3/32") 3.2 (1/8") 4.0 (5/32") 4.8 (3/16") 6.4 (1/4") 7.8 (5/16")



Specifications

Product Code:	FT-K39
Weight:	0.55 kg
Length:	275 mm
Stroke:	7 mm

Package Accessories

Nosepieces for 2.4mm, 3.2mm, 4mm & 4.8mm rivets
12mm maintenance wrench
Operating instructions

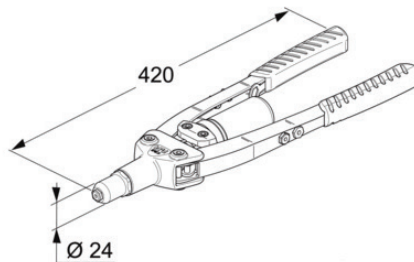
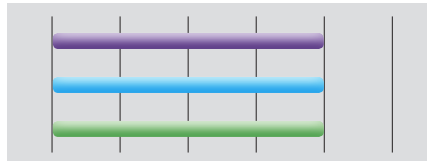
FAR K25

Lever Tool for Rivets up to 6.4mm Ø

FAR K25 is a heavy duty lever riveting tool with ergonomic grips designed for comfortable and safe operation. It features an integrated mandrel collector. Its lever and gear design reduces physical force required to set rivets. This tool is ideal for on-site work and low volume installations for larger diameter rivets.



2.4 (3/32") 3.2 (1/8") 4.0 (5/32") 4.8 (3/16") 6.4 (1/4") 7.8 (5/16")



Specifications

Product Code:	FT-K25
Weight:	1.5 kg
Length:	420 mm
Stroke:	10 mm

Package Accessories

Nosepieces for 3.2mm, 4mm, 4.8mm & 6.4mm rivets
12mm maintenance wrench
Operating instructions

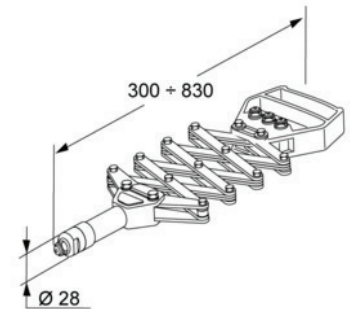
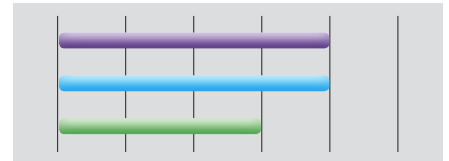
FAR K5

Lazy Tong for Rivets up to 6.4mm Ø

FAR K5 is a heavy duty lazy tong riveting tool, in robust aluminium and steel construction. The strong steel linkage system is designed for improved mechanical advantage. This tool is supplied with 5 nosepieces.



2.4 (3/32") 3.2 (1/8") 4.0 (5/32") 4.8 (3/16") 6.4 (1/4") 7.8 (5/16")



Specifications

Product Code:	FT-K5
Weight:	1.75 kg
Length (closed):	300 mm
Length (extended):	830 mm
Stroke (max.)	14 mm

Package Accessories

Nosepieces for 2.4mm, 3.2mm, 4mm, 4.8mm & 6.4mm rivets
12mm maintenance wrench
Operating instructions

* Dimensions and specifications are subject to change without notice. Check your distributor for the latest data sheet.

Unit 4, 28 Barcoo St., Roseville, NSW 2069
PH: 02 9882 1112

www.rivetlab.com